

# ERHARDT ALL-GLASS SLIDING DOOR GSD



**ERHARDT ALL-GLASS SLIDING DOOR GSD**  
VERSATILE, CONVENIENT, CUSTOMISABLE  
AND ELEGANT







## **ERHARDT ALL-GLASS SLIDING DOOR**

### **TRANSPARENCY, EASE AND FUNCTIONALITY**

The new ERHARDT all-glass sliding door (GSD) provides transparent wind and weather protection for use in a terrace roof or as a partition. The individual sliding leaves are moved horizontally in parallel to one or two sides. Carriers integrated in the system automatically support the process of opening and closing the leaves. Choose between multiple floor tracks, from 2 to 5 rails, which can be flush mounted to the floor to enable a seamless transition to the outside. Several pull and latch options are available for maximum ease of use and safety. The downward extending system ensures low-maintenance and permanently smooth running with its stainless steel running mechanism and stainless steel ball bearing rollers. The system accommodates construction tolerances due to its intelligent profile design and adjustable carriage, and it can be quickly and easily mounted.

# ERHARDT ALL-GLASS SLIDING DOOR GSD

## ONE PRODUCT MANY OPTIONS

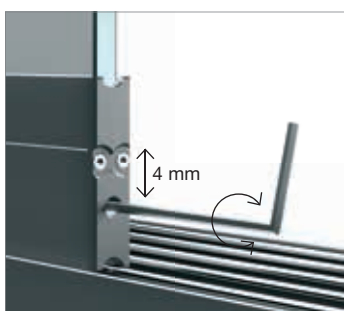


### Smooth and easy operation due to stainless steel running mechanism

The sliding leaves slide easily due to the concealed stainless steel ball bearing rollers in combination with stainless steel treads. The sliding leaves slide quietly over the treads and guarantee a long service life.

### Convenient lock with retraction centring

The ERHARDT convenient lock enables easy operation and maximum convenience. The lock slides neatly into the lateral frame due to the new retraction centring and is locked there with the locking lever. The locked mode is permanently displayed visually. The swivelling pull enables maximum ease of use when opening and closing.

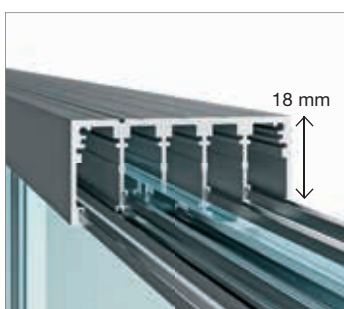
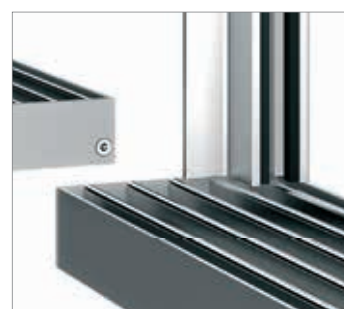


### Height adjustment of the leaves

All sliding leaves can be adjusted in height by 4 mm when integrated. Thus the leaves can be adjusted precisely at any time.

### Sophisticated rail options

The drained rail is available in options ranging from 2-railed to 5-railed versions and can be integrated via surface or flush mounting. Floor coverings can be laid from the inside and outside to the floor track without impairing the functioning of the sliding leaves. Thus the transition to the outside can be executed almost at ground level, depending on your requirements.



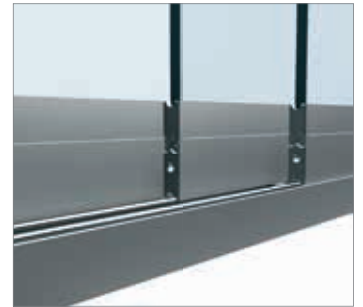
### Construction tolerances and height compensation

The upper guide rail can accommodate a height tolerance of up to 18 mm by lowering the upper construction. This ensures the functionality of the sliding system even if the purlin of a terrace roof is deflected. A seal inserted in the profile frame enables maximum impermeability between the purlin/traverse and the GSD.



### **ERHARDT lighting element – for a pleasant evening atmosphere**

LED lights discreetly integrated in the ceiling track create a atmospheric ambience on your terrace, and the dimmer function allows you to adjust the lighting to suit the situation.



### **Impermeability and ventilation**

A leaf cover of 36 mm enables the system to repel wind-driven rain and also ensures permanent ventilation with maximum transparency.



### **Maximum convenience, maximum opening width**

When opening and closing the all-glass sliding door, the next leaves in each case are automatically moved by integrated carriers. When opened, the leaves are almost completely covered and thus ensure maximum opening.



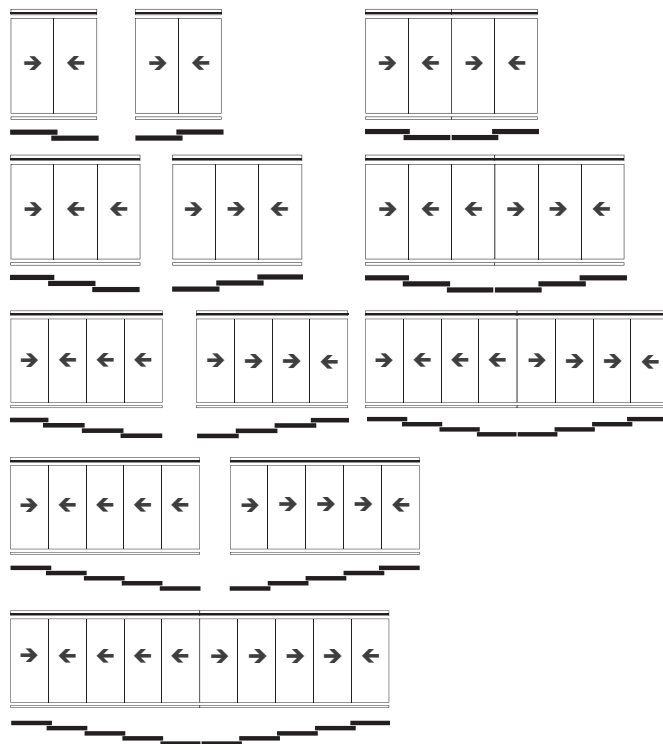
# ERHARDT ALL-GLASS SLIDING DOOR

## AT A GLANCE

### All features of the glass elements

Maximum leaf sizes	<ul style="list-style-type: none"> <li>» Up to 260 cm in height</li> <li>» Up to 150 cm in width</li> <li>» Leaf weight up to 70 kg</li> <li>» Custom sizes on request</li> </ul>
Areas of use	<ul style="list-style-type: none"> <li>» Wind and weather protection in the terrace roof area</li> <li>» Partitions</li> <li>» Balcony glazing (observe installation situation)</li> </ul>
Versions available	<ul style="list-style-type: none"> <li>» 2, 3, 4 or 5-railed design</li> <li>» Slidable to the left and/or right</li> </ul>
Profile technology	<ul style="list-style-type: none"> <li>» Uninsulated all-glass sliding system</li> <li>» Downward extending leaves</li> <li>» Transparent corner</li> </ul>
Fitting technology	<ul style="list-style-type: none"> <li>» Stainless steel ball bearing rollers</li> <li>» Stainless steel rails</li> <li>» Concealed carrier function</li> <li>» Lockable on inside/outside</li> <li>» Drained floor track</li> </ul>
Glazing	<ul style="list-style-type: none"> <li>» With TSG (toughened safety glass)</li> <li>» Glazing thickness 8 mm or 10 mm</li> </ul>
Frame colours (standard)	<ul style="list-style-type: none"> <li>» anthracite grey RAL 7016 str.</li> <li>» grey-aluminium RAL 9007 str.</li> <li>» white RAL 9016</li> <li>» anthracite DB 703</li> </ul> <p><small>Any desired RAL colour possible for an additional charge.</small></p>
Accessories (optional)	LED lighting in the ceiling rail possible

### Sketches / Opening options



For more information, please contact your ERHARDT dealer.

